

## Technical data sheet Aslon® Screw and level pad

### Basic element

Material composition: PP with glass-fiber reinforced

Dimension: 120 x 53 mm b x h

Weight: 47 gram per piece

### Ring

Material composition: PP with glass-fiber reinforced

Dimension: 115 x 10 mm b x h

Weight: 23,5 gram per piece

### Stand gear

Material composition: PA6 with glass-fiber reinforced

Dimension: 18 x 51 mm

Weight: 6 gram per piece

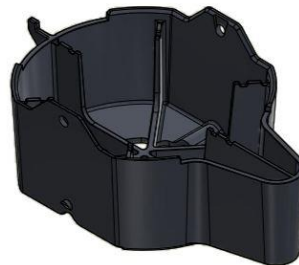
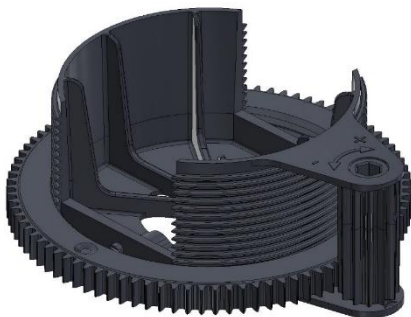
### Extension Element

Material composition: PP with glass-fiber reinforced

Dimension: 135 x 40 mm

Weight: 52 gram per piece

HS code: 39269097



Version: 17-12-2018



**Aslon Systems**  
Vlotlaan 101  
2681 TW Monster  
The Netherlands

Telephone: +31 (0) 174 283 443  
Telefax: +31 (0) 174 283 112  
E-mail: [sales@aslon-systems.com](mailto:sales@aslon-systems.com)  
Website: [www.aslon-systems.com](http://www.aslon-systems.com)

IBAN: NL13 INGB 0007 1098 86  
Swift/BIC: INGBNL2A  
VAT number: NL 80 88 16 226 B01  
Chamber of Commerce: 28 08 57 06